

Specifications

	mENCLOSURE UNIVERSAL BLK & WHT BLK 37950830 WHT 37950850 <ul style="list-style-type: none"> Tablet Enclosure Universal mUnite Compatible 100mm VESA Lock Key 		mUNITE EZDESK KIOSK STAND BLK & WHT BLK 37954740 WHT 37954730 <ul style="list-style-type: none"> Tablet Kiosk Stand Compatible with mEnclosure Universal Only
	mUNITE WALL MOUNT BLK & WHT BLK 37954620 WHT 37954610 <ul style="list-style-type: none"> Tablet Wall Mount 		mUNITE EZ3 STAND BLK & WHT BLK 37954760 WHT 37954750 <ul style="list-style-type: none"> Tablet Stand mC-Print3 Series Includes Customer Facing Display Mount
	mUNITE TRI MOUNT BLK & WHT BLK 37954640 WHT 37954630 <ul style="list-style-type: none"> Tablet Mount 56cm Pole Three Tablet Capacity 		mUNITE EZ100 BLK & WHT BLK 37954780 WHT 37954770 <ul style="list-style-type: none"> EZ100 Desk Stand for Star TSP100, TSP650II or TSP700II Series
	mUNITE FLOOR KIOSK STAND BLK & WHT BLK 37954700 WHT 37954690 <ul style="list-style-type: none"> Tablet Kiosk Stand 45-Inch Height Floor Stand 		mUNITE 7 MOUNT BLK & WHT BLK 37954800 WHT 37954790 <ul style="list-style-type: none"> Tablet Mount 18cm Pole Counter Top Mount Installation Kit Included
	mUNITE EZPOS STAND BLK & WHT BLK 37954720 WHT 37954710 <ul style="list-style-type: none"> Tablet Stand 		mUNITE 18 MOUNT BLK & WHT BLK 37954820 WHT 37954810 <ul style="list-style-type: none"> Tablet Mount 46cm Pole Counter Top & Edge Mount Installation Kit Included

Star mUnite Series



Star mUnite Series Tablet Stands

mPOS Solution Stands

Star Micronics is proud to offer both function and style with its commercial grade mUnite mPOS solution stands, built to accompany Star's POS printer range. The durable steel stands are easy to set up and are available in either black or white to match existing POS systems. The mUnite stands maintain a clean design while hiding all the cables that keep devices connected, routing power supplies to recapture counter space. These durable steel mounts, kiosks, and stands are compatible with Star's Universal mEnclosure, or any enclosure that uses universal VESA mounting. Easy to set up, Star's mUnite stands are suitable for a wide range of applications in retail, hospitality, kiosk and visitor management.

mEnclosure Features:



- Adjustable Universal mEnclosure tablet holder
- Universal VESA mounting
- Clean cable management
- Easy to tilt for customer interactions
- Secure tablet mounting with adjustable locking arms
- Tablet can be locked in place and removed easily with included keys
- Tablet can be positioned in portrait or landscape view
- Available in black or white

Mount Stands

Star Micronics has created multiple stylish tablet mounts to free up and declutter workspace while keeping valuables secured in one area. They attach to most walls and countertops with everything needed to get set up included. Incredibly modern and space-saving, these tablet mounts are perfect for online ordering for the restaurant or QSR industry, retail, hospitality industry, or any establishment where tablets are regularly used and can be stationary. Tablets are well-protected and easily accessible while out of the way in busy environments. * Tablet and printer not included. mEnclosure tablet holder must be ordered separately.



MOUNT 7
Tilt Angle: +150°, -15°
Rotation ± 180°
WxDxH:
104.9 mm wide
116 mm deep
247 mm high
VESA Weight Capacity: 4 Kg
Monitor Size: from 12 inch



MOUNT 18
Tilt: +90°, -60°
WxDxH:
150 mm wide
116 mm deep
437 mm high
Weight: 3.5 Kg
VESA Weight Capacity: 8.5 Kg
Monitor Size: 10in to 32in



WALL MOUNT
Tilt: +35°, -30°
WxDxH:
66.2 mm deep
116 mm wide
116 mm high
Weight: 0.8 Kg



TRI MOUNT
Tablet tilt: + 90°, -60°
Tilt Angle: +45°, -45°a
WxDxH:
116 mm wide
178.5 mm deep
585 mm high
Weight: 2.69 Kg
VESA Weight Capacity: 8.5 Kg
Monitor Size: 10in to 32in

Desktop Stands

Freshen your point-of-sale with Star's wide selection of mUnite desktop tablet stands. Keeping cables together and off the checkout counter, these upscale stands are made to house and protect a variety of Star printers, providing stability and style. They use universal VESA mounting to secure the tablet of your choice, giving the freedom to tilt the screen while including room for a second customer-facing option. Stylishly space-saving, Star's desktop stands present a clean and attractive look to your customers.

* Tablet and printer not included. mEnclosure tablet holder must be ordered separately.



EZ3
Tilt: +50°, -5°
WxDxH:
162 mm wide
229 mm deep
280 mm high
Weight: 3.8 Kg



EZ100
Tilt: +45°, -45°
WxDxH:
176 mm wide
268 mm deep
340 mm high
Weight: 4 Kg



EZPOS
Tilt: +45°, -45°
WxDxH:
300 mm wide
200 mm deep
206 mm high (To top of post)
Weight: 2.28 Kg

Kiosk Stands

With the mUnite EZ Desk Kiosk and Floor Kiosk stands, Star Micronics has created two sturdy yet easy-to-move tablet displays built for any self-service or customer engagement application. These stands are free-standing with weighted bottoms to keep them firmly in place. Presenting an attractive, minimalist design, Star's kiosk stands can be used in any retail or hospitality environment, allowing customers to check in or place orders independently or used for visitor management or customer information.

* Tablet and printer not included. mEnclosure tablet holder must be ordered separately.

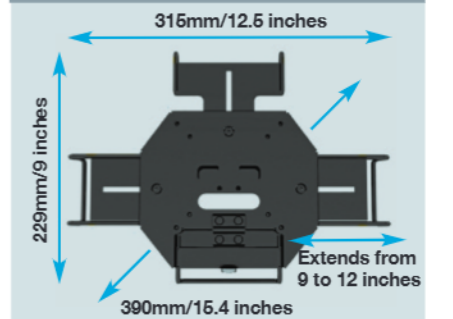


EZDESK
Tilt: +115°, -15°
WxDxH:
150 mm wide
221 mm deep
183 mm high
Weight: 2.28 Kg
EZDesk can be mounted for secure installation.



FLOOR KIOSK STAND
Tilt: +90°, -10°
WxDxH:
474 mm wide
573 mm deep
1179 mm high
Weight: 8.5 Kg

A Must-Have Addition: Pair Stands with the Right mEnclosure



- Industry-leading, adjustable Universal mEnclosure is compatible with virtually any tablet
- Available in attractive black and white finishes to match existing POS systems
- Pair with all VESA compatible mounts, stands, or kiosks in the mUnite family